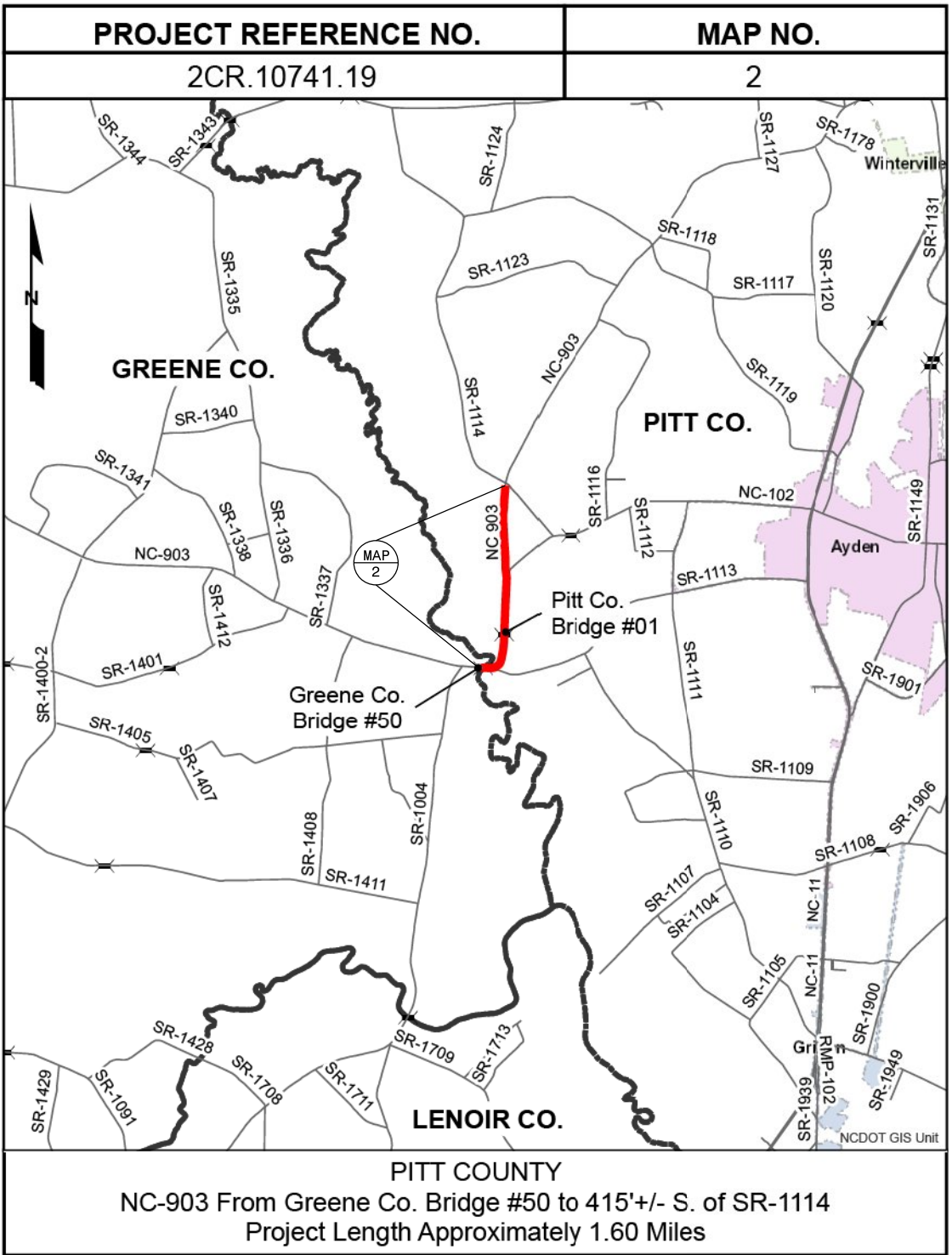
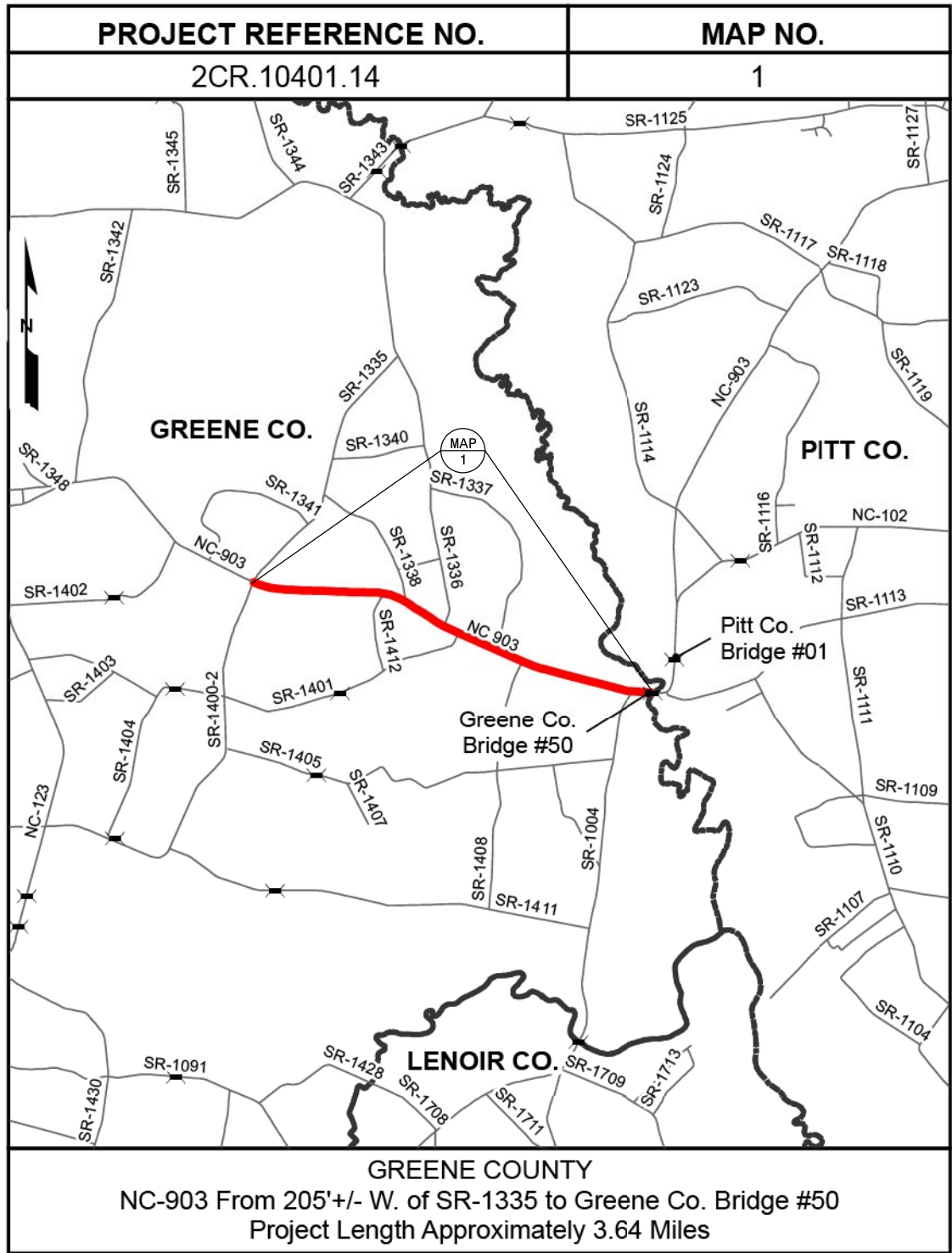
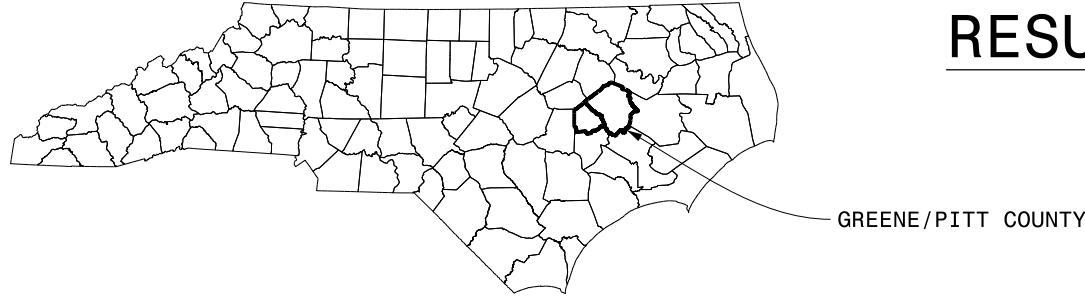
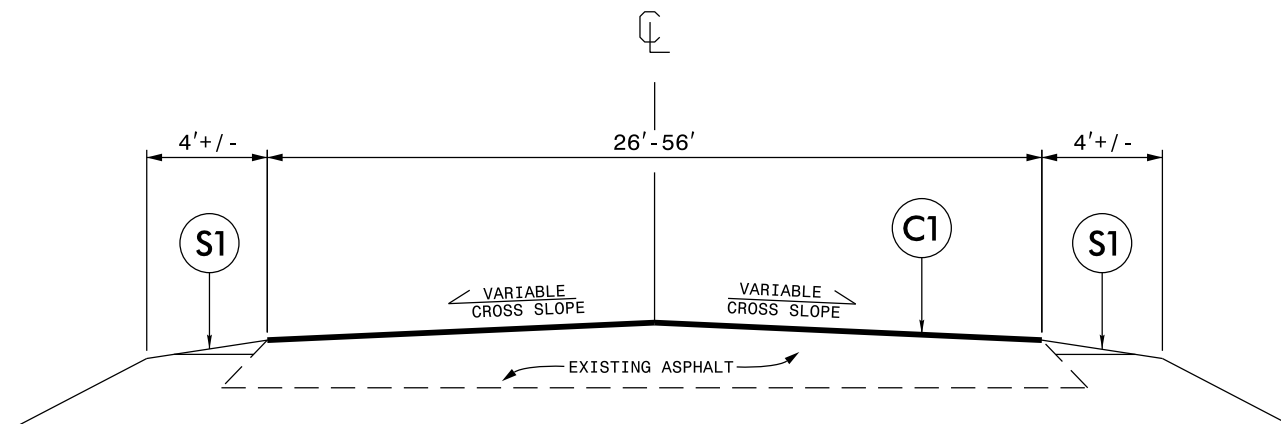


RESURFACING CONTRACT: DB00202



TYPICAL SECTION NO. 1

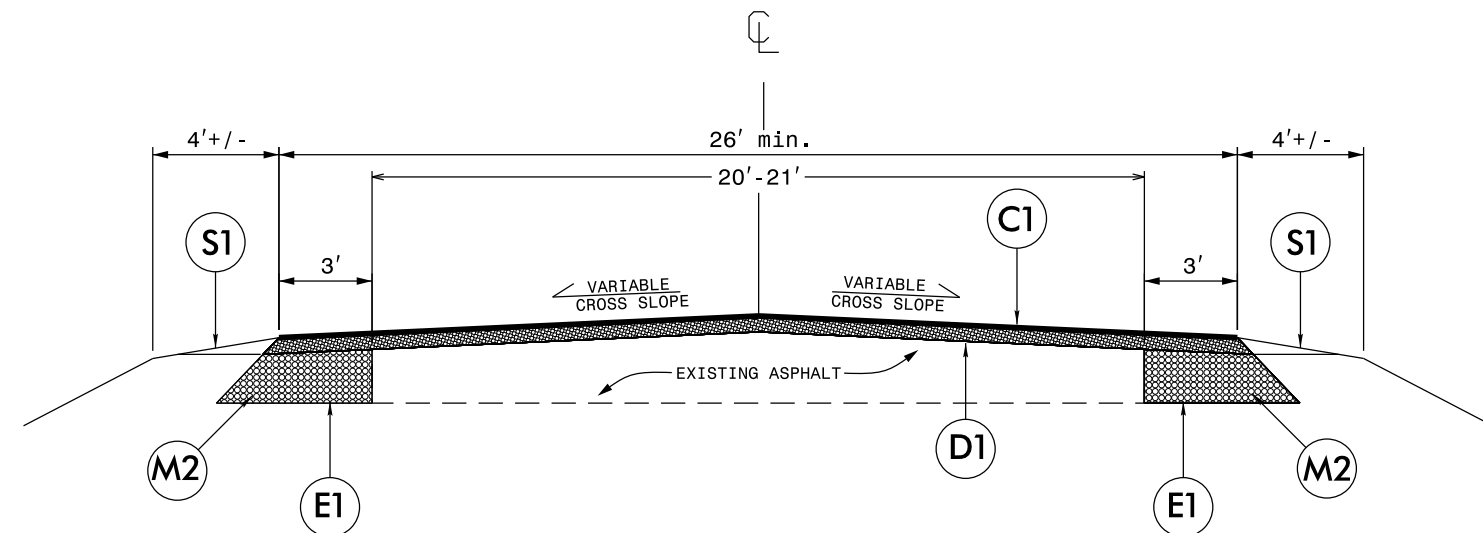
MAP 1: 180+30 Thru 192+40 +/-
 MAP 2: 0+00 Thru 10+32 +/-



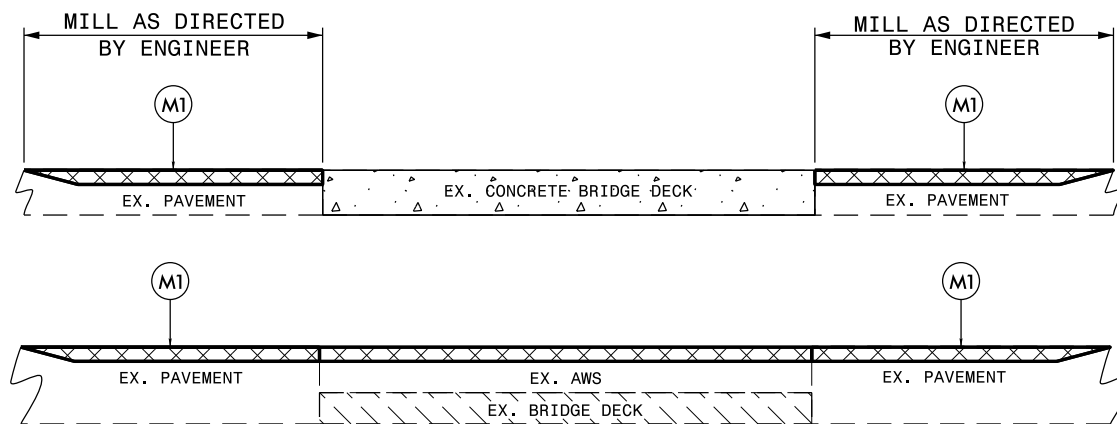
- NOTE:**
1. PLACE ASPHALT SURFACE COURSE AT FULL WIDTH.
 2. INCLUDES INCIDENTAL MILLING AT THE ENDS OF MAIN LINE SECTIONS AND BRIDGE APPROACH TIE-INS, OR AS DIRECTED BY THE ENGINEER. SEE DETAIL 1 & 2

TYPICAL SECTION NO. 2

MAP 1: 0+00 TO 180+30 +/-
 MAP 2: 10+32 THRU 83+78

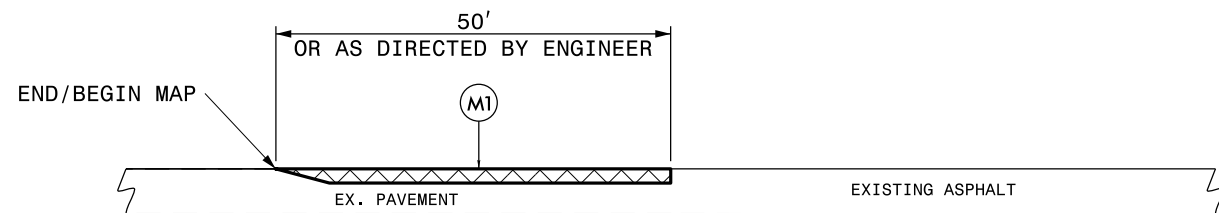


- NOTE:**
1. PLACE 3' SYMMETRICAL WIDENING. MAKE FLUSH WITH THE EXISTING ASPHALT.
 2. TRENCHING SHALL BE PERFORMED USING A MILLING MACHINE OR SIMILAR DEVICE.
 3. PLACE ASPHALT INTERMEDIATE COURSE AT FULL WIDTH, INCLUDING NEW WIDENING.
 4. PLACE ASPHALT SURFACE COURSE AT FULL WIDTH, INCLUDING NEW WIDENING.
 5. INCLUDES INCIDENTAL MILLING AT THE ENDS OF MAIN LINE SECTIONS AND BRIDGE APPROACH TIE-INS, OR AS DIRECTED BY THE ENGINEER. SEE DETAIL 1 & 2



DETAIL 2
 BRIDGE MILLING

- NOTE:**
1. MILLING SHALL BE PERFORMED AT BRIDGE DECKS AND BRIDGE APPROACHES AS DIRECTED BY THE ENGINEER, IN ACCORDANCE WITH THIS DETAIL.
 2. BRIDGE DECK MILLING SHALL BE PERFORMED AT PITT CO. BRIDGE NO. 001 AS DIRECTED BY THE ENGINEER, IN ACCORDANCE WITH THIS DETAIL.



DETAIL 1
 MAIN LINE MILLING

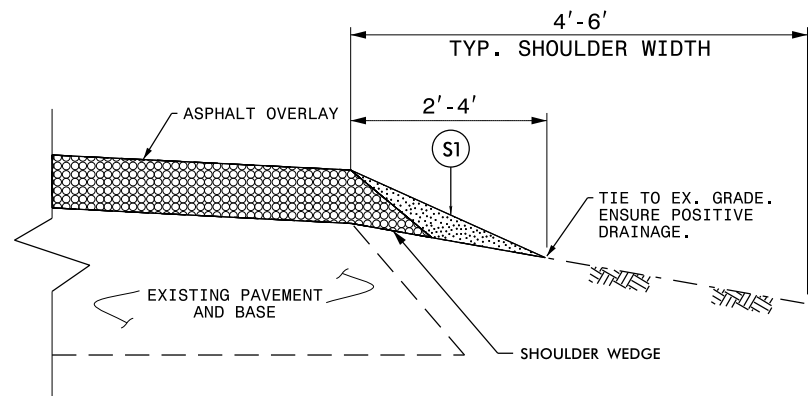
- NOTE:**
1. INCLUDES INCIDENTAL MILLING AT THE ENDS OF MAIN LINE SECTIONS, OR AS DIRECTED BY THE ENGINEER.
 2. PAVE TO THE END OF THE MILLED SURFACE TO CREATE A SMOOTH TRANSITION.

PAVEMENT SCHEDULE

C1	PROP. APPROX. 1 1/2" OF ASPHALT CONCRETE SURFACE COURSE, TYPE S9.5B, AT AN AVERAGE RATE OF 168 LBS. PER SQ. YD.
D1	PROP. APPROX. 2 1/2" OF ASPHALT CONCRETE INTERMEDIATE COURSE, TYPE I19.0B, AT AN AVERAGE RATE OF 285 LBS. PER SQ. YD.
E1	PROP. APPROX. 5 1/2" OF ASPHALT CONCRETE BASE COURSE, TYPE B-25.0B, AT AN AVERAGE RATE OF 627 LBS. PER SQ. YD.
M1	MILLING DEPTH 0"-3" AT ALL BRIDGE APPROACHES, FOR THE ENTIRE WIDTH OF THE ROADWAY, OR AS DIRECTED BY THE ENGINEER.
M2	MILLING EXISTING SOIL SHOULDER, TO A DEPTH OF 5 1/2", WITH A WIDTH OF 3' WHERE INDICATED BY TYPICAL, FOR SYMMETRICAL WIDENING.
S1	SHOULDER RECONSTRUCTION AS DIRECTED BY THE ENGINEER.

DRAWINGS NOT TO SCALE

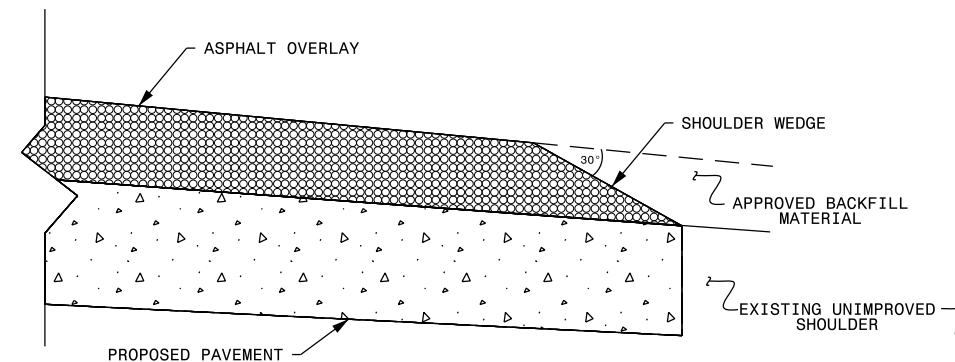
NOTE: PAVEMENT EDGE SLOPES ARE 1:1 UNLESS SHOWN OTHERWISE.



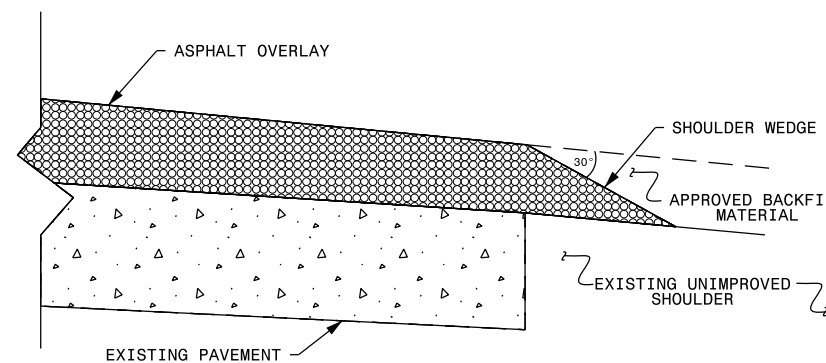
SHOULDER RECONSTRUCTION DETAIL

NOTE:

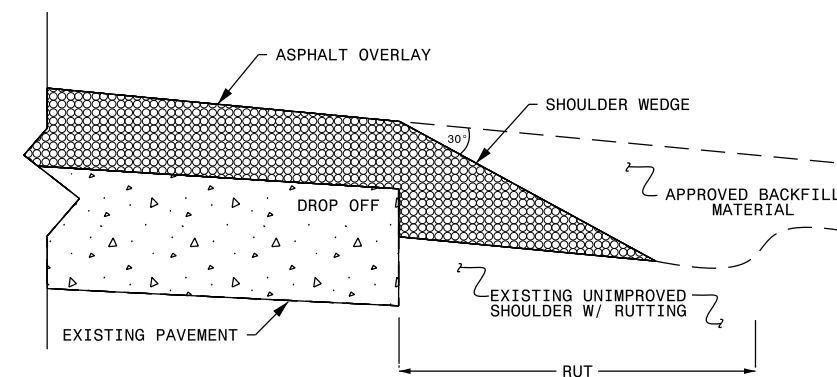
1. SHOULDERS SHALL BE RECONSTRUCTED AS SHOWN IN STD. DWG. NO. 560.01 & 560.02, WITH A MINIMUM SLOPE OF 1" PER FOOT TO ENSURE POSITIVE DRAINAGE AWAY FROM THE ROADWAY.
2. A VEGETATIVE BUFFER SHALL BE MAINTAINED BETWEEN THE DISTURBED AREA ALONG THE EDGE OF PAVEMENT AND THE DITCH SHOULDER POINT TO MINIMIZE EROSION. PULLING DITCHES OR CUTTING SHOULDERS TO GENERATE BORROW MATERIAL WILL NOT BE ALLOWED.
3. REQUIRED BORROW MATERIAL MAY BE OBTAINED FROM NCDOT APPROVED BORROW PITS OR FROM NCDOT STOCKPILES. ANY EXCESS MATERIAL SHALL BE DISPOSED OF BY THE CONTRACTOR IN AN APPROVED DISPOSAL SITE.



SHOULDER WEDGE DETAIL
(Resurfacing Projects w/ Widening or with Existing Paved Shoulder having no dropoffs)



SHOULDER WEDGE DETAIL
(Resurfacing Projects w/ no Widening)



SHOULDER WEDGE DETAIL
(Resurfacing Adjacent to Rutted Shoulder)

DETAIL SHOULDER WEDGE DETAILS

NOTES:

1. DETAIL DOES NOT APPLY TO OGAFB AND ULTRA-THIN BONDED WEARING COURSE.
2. BACKFILL SHOULDER WITH APPROVED MATERIAL.
3. THE SHOULDER WEDGE DEVICE MAY BE DISENGAGED AT PAVED DRIVEWAYS AND SIDE STREETS.

PAVEMENT SCHEDULE	
C1	PROP. APPROX. 1½" ASPHALT CONCRETE SURFACE COURSE, TYPE S9.5B, AT AN AVERAGE RATE OF 168 LBS. PER SQ. YD.
D1	PROP. APPROX. 2½" ASPHALT CONCRETE INTERMEDIATE COURSE, TYPE I19.0B, AT AN AVERAGE RATE OF 285 LBS. PER SQ. YD.
E1	PROP. APPROX. 5½" ASPHALT CONCRETE BASE COURSE, TYPE B-25.0B, AT AN AVERAGE RATE OF 627 LBS. PER SQ. YD.
M1	PROP. APPROX. 0" 3" AT ALL BRIDGE APPROACHES, FOR THE ENTIRE WIDTH OF THE ROADWAY, OR AS DIRECTED BY THE ENGINEER.
M2	MILLING EXISTING SOIL SHOULDER, TO A DEPTH OF 5½", WITH A WIDTH OF 3' WHERE INDICATED BY TYPICAL, FOR SYMMETRICAL WIDENING.
S1	SHOULDER RECONSTRUCTION AS DIRECTED BY THE ENGINEER.

DRAWINGS NOT TO SCALE

NOTE: PAVEMENT EDGE SLOPES ARE 1:1 UNLESS SHOWN OTHERWISE.

SUMMARY OF QUANTITIES

PROJECT NO.
2CR10401.14 2CR10741.19

PROJECT NO	COUNTY	MAP NO	ROUTE	DESCRIPTION	TYP	LANES	LANE TYPE	FINAL SURFACE TESTING REQUIRED	WARM MIX ASPHALT REQUIRED	LENGTH MI	WIDTH FT	INCIDENTAL STONE BASE TONS	SHOULDER RECONSTRUCTION SMI	MILLING ASPHALT PAVEMENT, 0" TO 3" MILLING SY	INCIDENTAL MILLING SY	BASE COURSE, 825.08 TONS	INTERMEDIATE COURSE, 119.08 TONS	SURFACE COURSE, 59.58 TONS	ASPHALT BINDER FOR PLANT MIX TONS	TEMPORARY SILT FENCE LF	WATTLE LF	SEEDING & MULCHING AC
2CR.10401.14	Greene	1	NC 903	FROM 205' +/- W OF SR1335 TO GREENE CO. BRIDGE NO. 50		2	2WB	NO	NO	3.64	26	200	7.0		400	4,385	8,143	5,227	897	600	500	4.5
TOTAL FOR MAP NO. 1										3.64		200	7.0		400	4,385	8,143	5,227	897	600	500	4.5
TOTAL FOR PROJ NO. 2CR.10401.14										3.64		200	7.0		400	4,385	8,143	5,227	897	600	500	4.5
2CR.10741.19	Pitt	2	NC 903	FROM GREENE CO. BRIDGE NO. 50 TO 415' +/- W OF SR-1114		2	2WB	NO	NO	1.6	26	200	3.3	750	600	1,793	3,316	2,473	400	650	400	2.0
TOTAL FOR MAP NO. 2										1.6		200	3.3	750	600	1,793	3,316	2,473	400	650	400	2.0
TOTAL FOR PROJ NO. 2CR.10741.19										1.6		200	3.3	750	600	1,793	3,316	2,473	400	650	400	2.0
GRAND TOTAL										5.24		400	10.3	750	1,000	6,178	11,459	7,700	1,297	1,250	900	6.5

T H E R M O P L A S T I C A N D P A I N T

PROJECT NO	COUNTY	MAP NO	ROUTE	DESCRIPTION	TYP NO	LANES	LANE TYPE	LENGTH	WIDTH	4413000000-E	4457000000-N	4810000000-E		4835000000-E	4845000000-N			
										WORK ZONE ADVANCE GENERAL WARNING SIGNS	TEMPORARY TRAFFIC CONTROL	4" WHITE PAINT	4" YELLOW PAINT	24" WHITE PAINT	PAINT LT ARROW	PAINT RT ARROW	PAINT STR ARROW	
										SF	LS	LF	LF	LF	EA	EA	EA	
2CR.10401.14	Greene	1	NC 903	FROM 205' +/- W OF SR133 TO GREENE CO. BRIDGE NO. 50		2	2WU	3.64	26	1,100	1	78,400	48,100	24				
TOTAL FOR MAP NO. 1							3.64			1,100	1	78,400	48,100	24				
TOTAL FOR PROJ NO. 2CR.10401.14							3.64			1,100	1	78,400	48,100	24				
										126,500								
2CR.10741.19	Pitt	2	NC 903	FROM GREENE CO. BRIDGE NO. 5 TO 415' +/- W OF SR-1114	2	2	2WU	1.6	26	544	1	34,500	21,200	24	1	1	2	
TOTAL FOR MAP NO. 2							1.6			544	1	34,500	21,200	24	1	1	2	
TOTAL FOR PROJ NO. 2CR.10741.19							1.6			544	1	34,500	21,200	24	1	1	2	
										55,700			4					
GRAND TOTAL									5.24		1,644	2	112,900	69,300	48	1	1	2
										182,200			4					